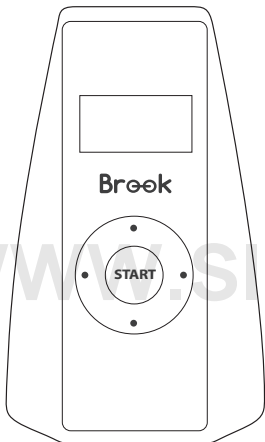
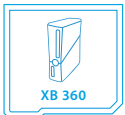
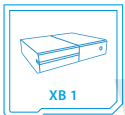




# RASLUTION X

Racing Wheel Converter



Operation Instructions .....	3
操作説明 .....	4
操作説明 .....	5
조작 설명서 .....	6
Steering wheel comparison chart .....	7
方向盤對照圖 .....	7
ボタン割り当て対応表 .....	7
현들 대응표 .....	7

## BRAND STORY

We all live and breathe gaming, and what makes it truly unique is that no two gamers are the same. And when choosing how you want to play your game, you shouldn't compromise. The joy of gaming should have no limits, and Brook is inspired to break the existing boundaries in the gaming industry, to let you explore infinite gaming possibilities across platforms, genres, gaming eras. Whether it's for playing your retro console with modern controllers, adding new functionalities to your game, or designing the ultimate arcade stick for your tournaments, Brook has a solution for you. Like a chameleon, Brook is adaptable and resourceful to stand by every gamer's passion, as we believe that everyone should be able to play with their own unique style. And while you enjoy putting your determination in your next game, Brook takes your setup request as the next exciting challenge to stand by your gaming journey.



**YOUR GAME.  
OUR PLAY.**

## Simulated Device Compatibility / シミュレートされたデバイス対応表 方向盤模擬對應表 / 스티어링 휠 시뮬레이션 대응표

Using your steering wheel with the mode selected on Ras1ution X will simulate different steering wheels (see table below). Please ensure your racing game supports the simulated wheels listed in the table to ensure proper operation.

お使いのハンドルコントローラーとRas1ution Xの選択モードを組み合わせることで、ハンドルが異なるシミュレーションにされます(下表参照)。まずこのゲームがこれらのアナログステアリングホイールに対応しているかを確認し、正常に動作することを確保してください。

Ras1ution X에서 선택한 모드로 당신의 스티어링 휠을 사용하면 다양한 스티어링 휠을 시뮬레이션할 수 있습니다(아래 표 참조). 원활한 작동을 위해 당신의 레이싱 게임이 표에 나열된 시뮬레이션 휠을 지원하는지 확인해 주세요.

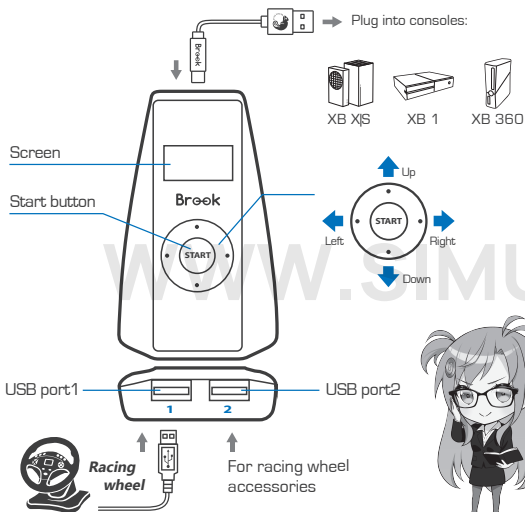
您使用的方向盤配合 Ras1ution X 選擇的模式，會模擬出不同的方向盤（見下表），請先確認您的賽車遊戲是否支援表中所模擬的方向盤，以確保遊戲正常運行。

### XB X|S、XB1 Wheel mode

G920 wheel

### XB 360 Wheel mode

THRUSTMASTER Ferrari 458 Italia wheel

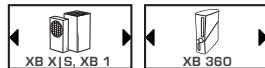


※ Make sure you follow these connection steps below, or your steering wheel won't start properly.

**Step.1** Connect the Ras1ution X converter to the console.

**Step.2** Connect your racing wheel to USB port 1.

**Step.3** Press the start button to choose the platform (switch on the left or right key) and press the start button to save.



Ras1ution X has two main modes: steering wheel mode and controller mode. It's suggested to choose steering wheel mode on each according console at first. Some games may not recognize steering wheel mode, you can then choose controller mode to play. (\* There's just controller mode for Switch)

**Step.4**

You can set the force feedback strength ( $\pm 10$  stages)/steering range ( $\pm 10$  stages)/dead zone for controller mode (20 stages)/Language on menu and press start button to save, press down key to resume default setting or press up key back to the menu.

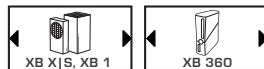
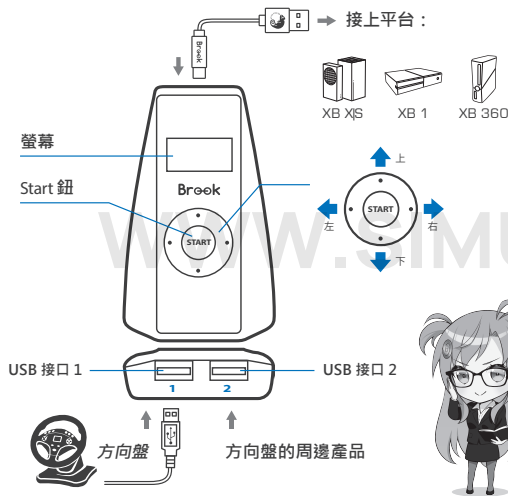
\*Brook supply the Ras1ution app, you can download from App store/Google play to set and save the mode as you wish (this profile will save in your mobile, you can connect it no matter where you are)

※ 請務必按照以下連接步驟，否則將無法正常啟動方向盤

**Step.1** 將Ras1ution X 連接到您的遊戲主機。

**Step.2** 連接方向盤至 USB 接口 1。

**Step.3** 按下Start 鈕選擇遊戲平台(以左右鍵選取) 並再次按住 Start 鈕以保存。

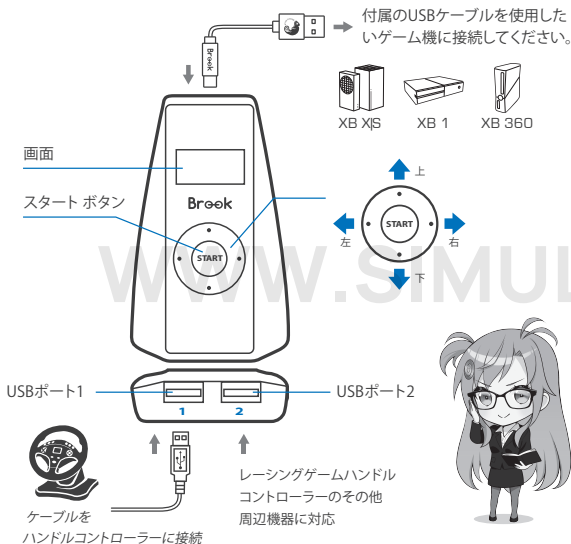


**Ras1ution X** 有兩種模式：方向盤模式和手把模式。  
建議您無論在哪一種遊戲主機上，先選擇方向盤模式。  
當部分遊戲無法辨識方向盤模式時，您再選擇手把模式即可。  
※ 在Switch上只有手把模式

**Step.4**

您可於選單內設定力回饋大小(±10段)/轉向範圍(±10段)/控制器的死區(20段)/語言並按下Start鈕以保存，按向下鍵恢復預設設定或按向上鍵返回選單。

\***Brook** 提供了 **Ras1ution app**，您可於 **App store** 或 **Google play** 平台下載並保存您所想要的設定(此檔案將保存在您的移動裝置中以利用您在其他地方使用)。

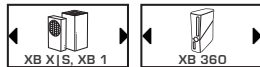


※ ハンドルを正常に起動するために、以下の接続手順を必ず  
守ってください

**ステップ.1** Ras1ution X ハンドルコンバーターをゲーム  
機に接続。

**ステップ.2** ハンドルコントローラーをUSBポート1に接続。

**ステップ.3** スタートボタンを押し、プラットフォームを選択し  
(左右のスイッチ)、スタートボタンを再度押して保存。



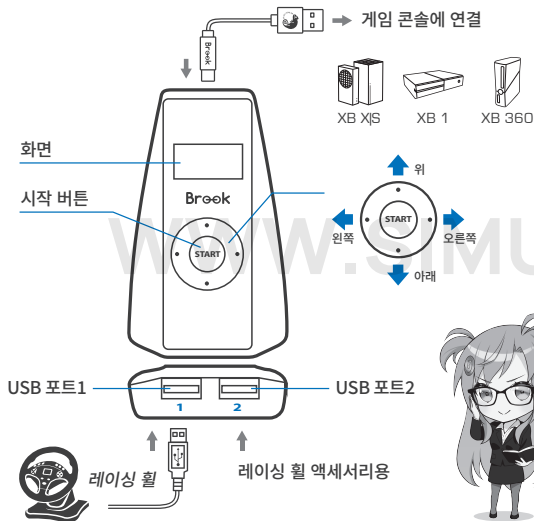
Ras1ution Xには二つのモードがあります。それが「ステアリングホイールモード」と「コントローラーモード」です。  
プレイする際に、まずは「ステアリングホイールモード」でプレイすることをおすすめいたします。ステアリングホイールコントローラーに対応しないゲームだった場合は「コントローラーモード」をご利用ください。  
※ スイッチにご使用する際は「コントローラーモード」のみになります。

**ステップ.4**

さらにフォースフィードバック (±10段階)/ステアリングハンドルコントローラー (±10段階)/コントローラーのデッドゾーン設定 (20段階)/言語をメニューで設定し、スタートボタンを押して保存、下キーを押してデフォルト設定に戻すか、上キーを押してメニューに戻ります。

※ **Brook**はRas1ution専用アプリを提供しております、アップルストアかGoogle Playからダウンロードしてお望みのモードに設定して保存してください (このプロファイルはお持ちのスマホに保存され、場所を問わずご利用できます)。

202407V1

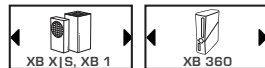


※ 아래 연결 단계를 반드시 따르십시오. 그렇지 않으면 핸들 휠이 제대로 시작되지 않습니다.

**1단계.** Raslution X 변환기를 콘솔에 연결합니다.

**2단계.** 레이싱 휠을 USB 포트 1에 연결합니다.

**3단계.** 시작 버튼을 눌러 플랫폼을 선택합니다(왼쪽 또는 오른쪽 키로 전환). 그런 다음 시작 버튼을 눌러 저장합니다.



Raslution X에는 핸들 모드와 컨트롤러 모드 두 가지 주요 모드가 있습니다. 각 콘솔에 먼저 핸들 모드를 선택하는 것이 좋습니다. 일부 게임은 핸들 모드를 인식하지 않을 수 있으며, 그럴 때는 컨트롤러 모드를 선택하여 플레이할 수 있습니다. (\*스위치에서는 컨트롤러 모드만 지원됩니다.)

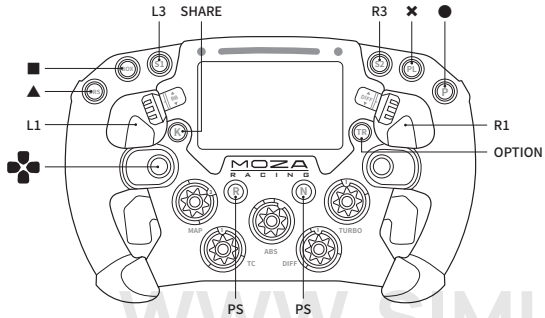
**4단계.**

메뉴에서 포스 피드백 강도(±10 단계)/조향 범위(±10 단계)/컨트롤러의 데드존 설정(20 단계)/언어를 설정하고 시작 버튼을 눌러 저장합니다. 아래 키를 눌러 기본 설정으로 복원하거나 위 키를 눌러 메뉴로 돌아갑니다.

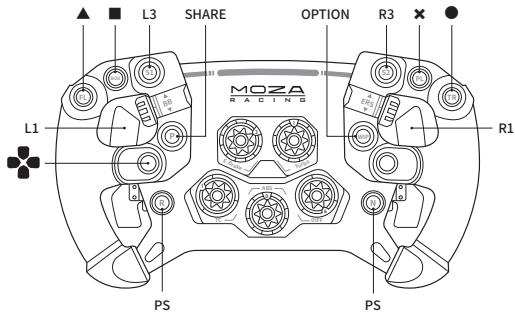
\*Brook은 Raslution 앱을 제공합니다. 앱 스토어/구글 플레이에서 다운로드하여 원하는 모드를 설정하고 저장할 수 있습니다(이 프로파일은 모바일에 저장되며, 어디에서나 연결할 수 있습니다).

202407V1

## MOZA FSR Formula



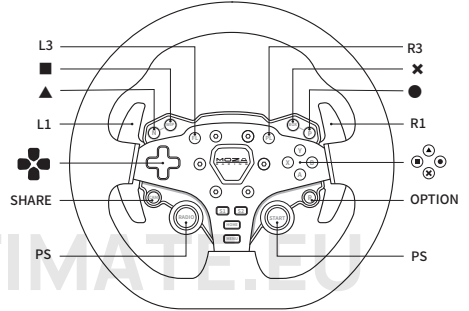
## MOZA GS Wheel



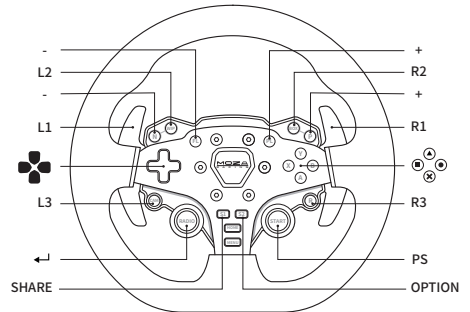
## MOZA ES

### Layout 1 (Default, no L2/R2/↵ button)

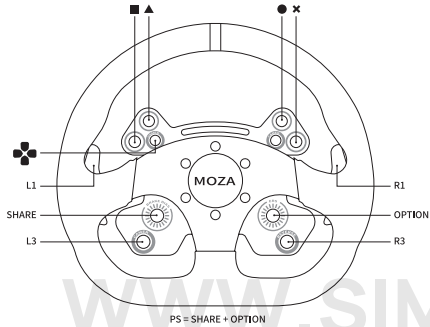
- ES Steering Wheel for Xbox (R3 base): Press and hold HOME + SHARE for 3 seconds to switch the Layout 2.
- ES Steering Wheel Standalone (R5 base): Press and hold HOME + MENU for 3 seconds to switch the Layout 2.



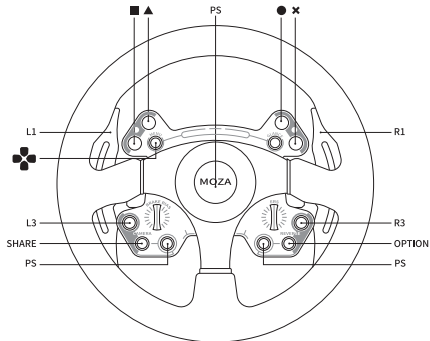
### Layout 2 (All G29/G920 button)



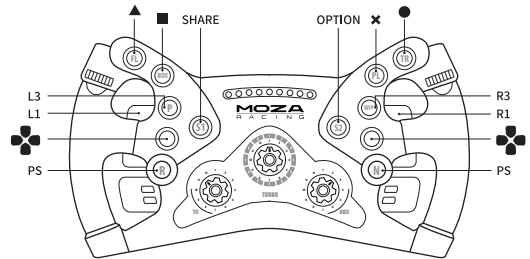
## MOZA CS Wheel



## MOZA RS Wheel

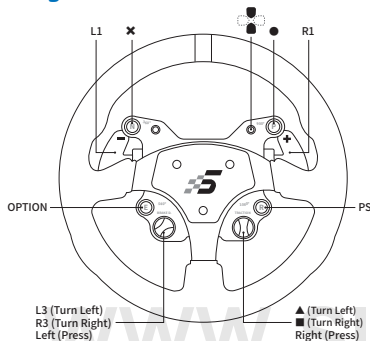


## MOZA KS

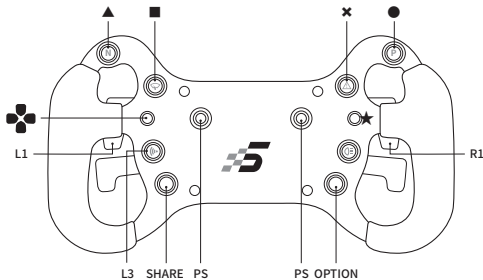


WWW.SIMULTIMATE.EU

## Simagic GT1

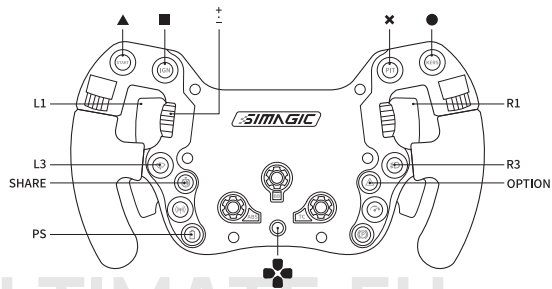


## Simagic GT4

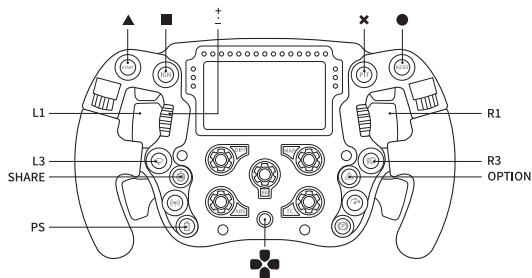


- ★ Before you start, hold the button up for 5 seconds to calibrate it, and then press the PS button to begin.
- ★ 毎回使用する前に、スイッチを上にも5秒動かしてキー修正を行います。そしてPSキーを押して起動します。
- ★ 在每次啟動前，請往上扳動5秒鐘進行按鍵校正，再按下PS鍵才可動作

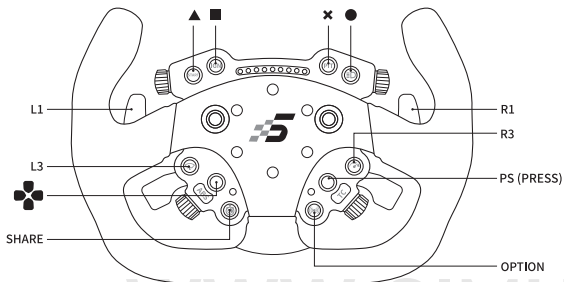
## Simagic FX Wheel



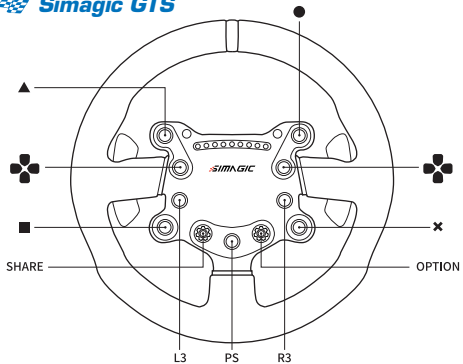
## Simagic FX Pro Wheel



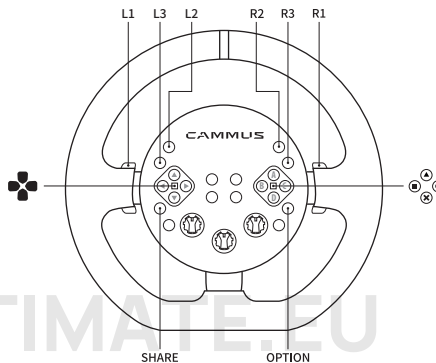
## Simagic GTC Wheel



## Simagic GTS



## Cammus C5



WWW.SIMULTIMATE.EU

## FCC Statement:

This device complies with part 15 of the FCC Rules. Operation is subject to the following two conditions:

- (1) This device may not cause harmful interference, and
- (2) This device must accept any interference received, including interference that may cause undesired operation.

NOTE: This equipment has been tested and found to comply with the limits for a Class B digital device, pursuant to part 15 of the FCC Rules. These limits are designed to provide reasonable protection against harmful interference in a residential installation.

This equipment generates uses and can radiate radio frequency energy and, if not installed and used in accordance with the instructions, may cause harmful interference to radio communications. However, there is no guarantee that interference will not occur in a particular installation.

If this equipment does cause harmful interference to radio or television reception, which can be determined by turning the equipment off and on, the user is encouraged to try to correct the interference by one or more of the following measures:

- Reorient or relocate the receiving antenna.
- Increase the separation between the equipment and receiver.
- Connect the equipment into an outlet on a circuit different from that to which the receiver is connected.
- Consult the dealer or an experienced radio/TV technician for help.
- Changes or modifications not expressly approved by the party responsible for compliance could void the user's authority to operate the equipment.

This equipment complies with FCC radiation exposure limits set forth for an uncontrolled environment. This equipment should be installed and operated with a minimum distance of 20 cm between the radiator and a human body.

 FCC ID: 2ADKM0053

## IC Statement

This device complies with Canada Industry licence-exempt RSS standard(s). Operation is subject to the following two conditions:

- (1) this device may not cause interference; and
- (2) this device must accept any interference. Including interference that may cause undesired operation of the device. CAN ICES-3 (B)

## Avis d'Industrie Canada

Le présent appareil est conforme aux CNR d'industrie Canada applicables aux appareils radio exempts de licence L'exploitation est autorisée aux deux conditions suivantes:

- (1) l'appareil ne doit pas produire de brouillage; et
- (2) l'utilisateur de l'appareil doit accepter le brouillage radioélectrique subi même si le brouillage est susceptible d'en compromettre le fonctionnement. mauvais fonctionnement de l'appareil. CAN NMB-3 (B)

## RF Exposure Statement:

This product complies with the FCC and IC RF exposure limit set forth for an uncontrolled environment and is safe for intended operation as described in this manual.

## Declaración de exposición a RF:

Este producto cumple con el límite de exposición a RF de la FCC e IC establecido para un entorno no controlado y es seguro para la operación prevista como se describe en este manual.

P/N: Raslution X  
M/N: ZPP0053  
IC: 29174-ZPP0053