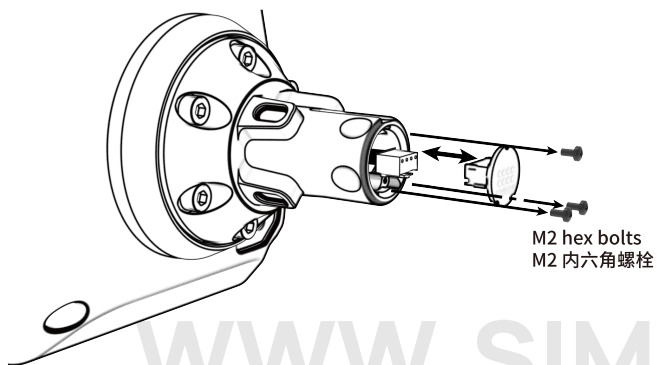
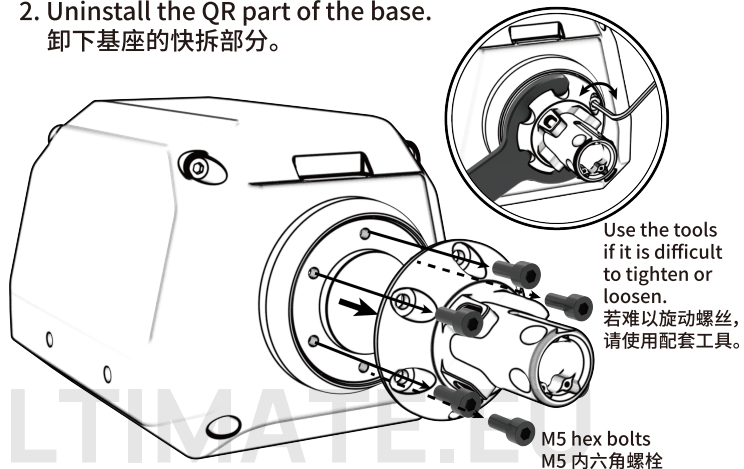


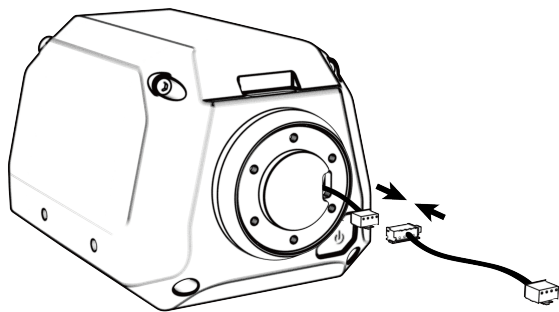
1. Uninstall the PCB, then unplug the connector.
卸下 PCB, 并拔下其插头。



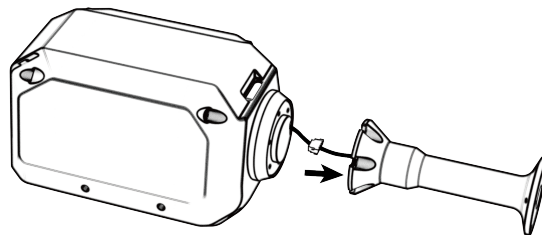
2. Uninstall the QR part of the base.
卸下基座的快拆部分。



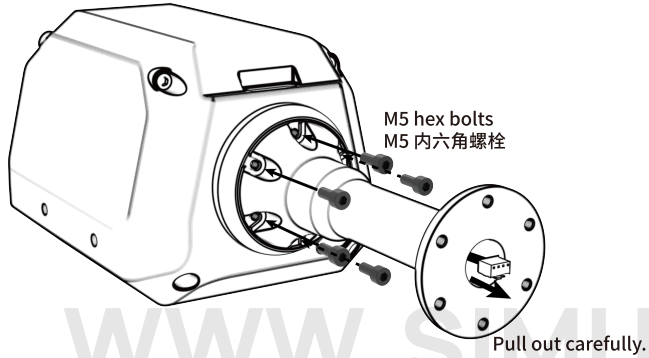
3. Connect the extension cable.
连接延长线。



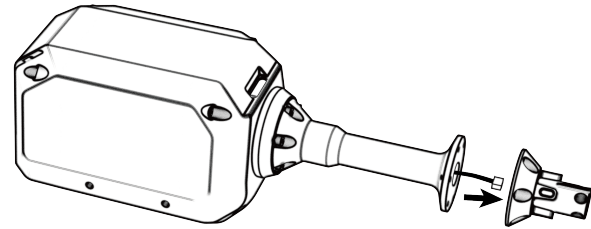
4. Put the cable into the extension rod as shown.
将延长线按图示塞进延长杆中。



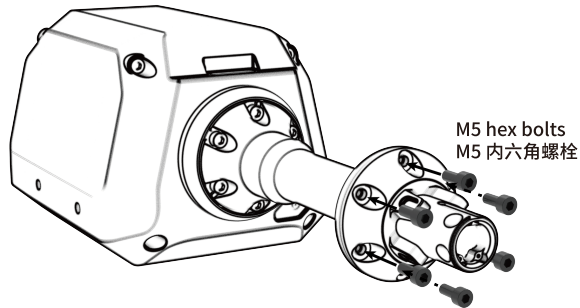
5. Install the extension rod to the base.
将延长杆装到基座上。



6. Put the cable into the base's QR part as shown.
将延长线按图示塞进基座的快拆部分。



7. Install the QR part.
安装快拆部分。



8. Plug in the connector and reinstall the PCB.
将 PCB 连接至延长线,并装回它。

