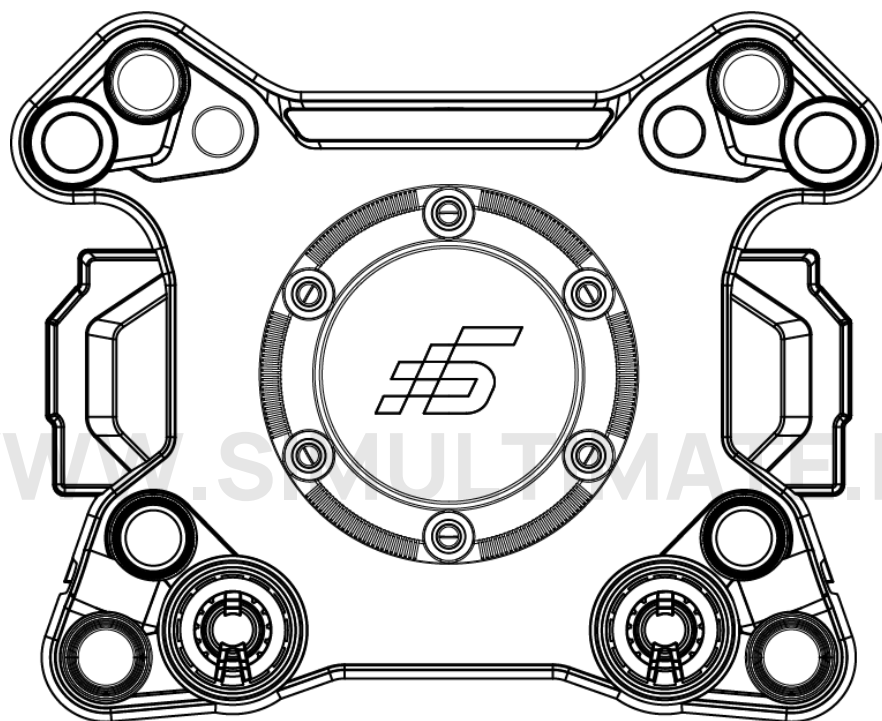


**SIMAGIC**

**KEEP  
RACING**



***Neo X***

**USER MANUAL**



# Contents

|                              |    |
|------------------------------|----|
| 1. About SIMAGIC             | 03 |
| 2. Introduction              | 04 |
| 2.1 Overview                 | 04 |
| 2.2 Specifications           | 05 |
| 2.3 Package Contents         | 06 |
| 3. Instruction of Use        | 07 |
| 3.1 Quick Guide              | 11 |
| 3.2 Software_Simpro Mananger | 12 |
| 4. Warranty Description      | 13 |
| 5. Safety                    | 15 |
| 6. Contact us                | 16 |



Thank you for choosing



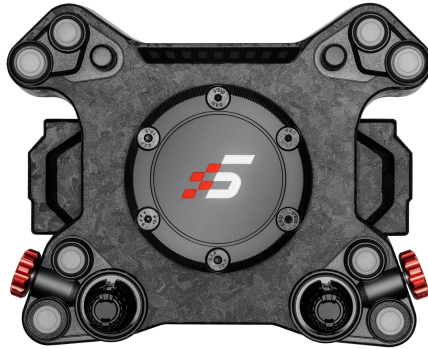
[WWW.SIMULTIMATE.EU](http://WWW.SIMULTIMATE.EU)

Before using your new Neo X, please review this manual for essential information about your health and safe usage of the product.

**KEEP RACING!**

## 2. NeoX Introduction

### 2.1 Overview



## Neo X Hub

- High-Strength Carbon Fiber Composite with High-Tech Fragmented Surface
- Personalized Driving Experience:
  - 8 customizable RGB buttons
  - 2 thumb knob encoders
  - 2 seven-way switches
  - 2 12-Set Programmable LED Encoders
  - 9 soft light programmable RGB rev light
  - Quick-response button layout for efficient interaction
- Modular Shift Paddle Options:
  - Multiple configurations with adjustable shapes, materials, and widths
- Easy Compatibility and Customization:
  - UP+ upgrade modules for quick and flexible wheel swaps
  - Neo X compatible with 6x70 mm bolt patterns, fitting most racing wheels
  - New quick-release adapter compatible with 50 mm and 70 mm quick releases
- Ergonomic Design with Simpro Manager Support

## 2.2 Specifications


|                                      |   |
|--------------------------------------|---|
| Product Name                         | Neo X   |
| Wheel Type                           | Choose according to the requirements  |
| Materials                            | Carbon Fiber Composite Material   |
| Programmable RGB Buttons             | 8   |
| 7-way Multi- position Rotary Switch  | 2   |
| 12-Set Programmable LED Encoders     | 2   |
| Thumb Rotary Encoders                | 2   |
| Wi-Fi                                | Supports 2.4G Wi-Fi function  |
| UP+ Shifter modules                  | Seperate Purchase Required  |
| Button Cap Stickers                  | included  |
| Dimensions (Length x Width x Height) | 189.6 x109.1 x153.7mm   |
| Net Weight                           | 1075g (With Quick Release, No Paddles)  |
| Accessories                          | SIMAGIC QR50 Quick Release, Installation Kit Connecting line, Button Cap Stickers |
| Optional Accessories                 | Maglink, Seperate Purchase Required, Wheel Rim, SIMAGIC QR70 Quick Release        |

*\* Specifications subject to change without notice*

## 2.3 Package Contents

- USB Type-C x 1
- Countersunk Head Screw M5-14 x 6
- Cap Stickers x 1
- Allen Key x 1 (3mm)

## Optional Accessories

-  **maglink™**
- Wheel Rim
- UP+ Shifter modules
- QR70 Quick Release

*The accessories above are optional and not included in the package*

## 3. Instruction for Use

Thank you for purchasing the SIMAGIC Neo X Hub!

Before setting up the hub, carefully read all the documentation that came with the package.

- For information about firmware upgrades, please check [www.simagic.com/download](http://www.simagic.com/download). \* The related files are game adaptation files developed by SIMAGIC for SIMAGIC-compatible devices. To safeguard users' legal rights and interests, please download all files through SIMAGIC's designated channels.
- Please visit **Simagic official** YouTube channel (<https://www.youtube.com/@simagicofficial6890>) for tutorial videos showcasing different setup options and usage techniques.
- Please visit [www.simagic.com/telemetry-support](http://www.simagic.com/telemetry-support) to access the list of games supported by this product. Note that using this product in non-supported games may result in certain functions not working as intended.



**The Hub is intended for indoor use only**



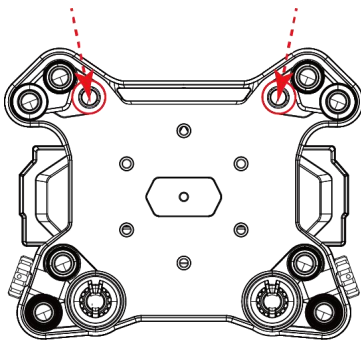
**Recommended ages 15 and above**



## 3.1 Quick Guide

### Steering Wheel Function Shortcuts

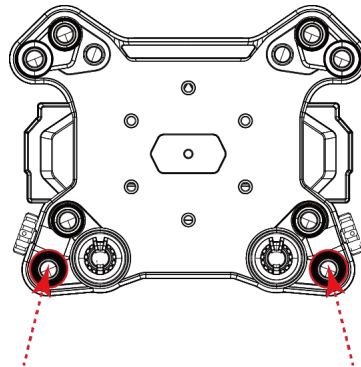
Clutch Calibration Mode



Push both 7-way switches upward for 5 seconds to enter clutch calibration mode. Press each clutch paddle fully once to complete calibration.

**Note:** The paddle module with clutch paddles must be installed.

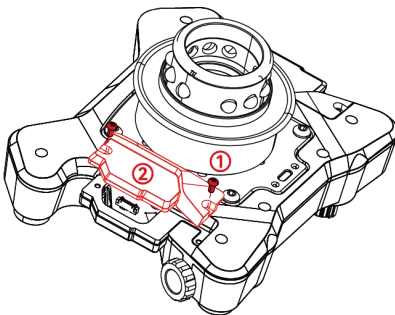
Factory Reset



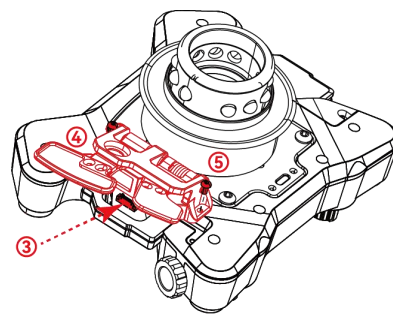
Press and hold for 5 seconds to restore factory settings (for the steering wheel only).

### Steering Wheel Adjustment

Paddle Shifter Module Installation



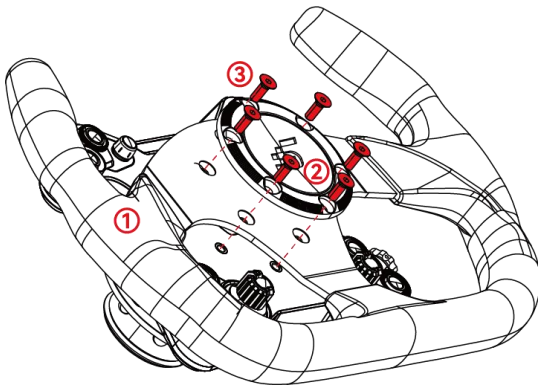
- ① Remove the two screws
- ② Take off the paddle cover



- ③ Connect the wire to the terminal socket
- ④ Position the paddle module
- ⑤ Tighten the two screws

## Steering Wheel Adjustment

### Steering Wheel Grips Installation

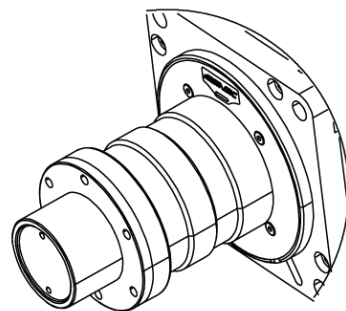
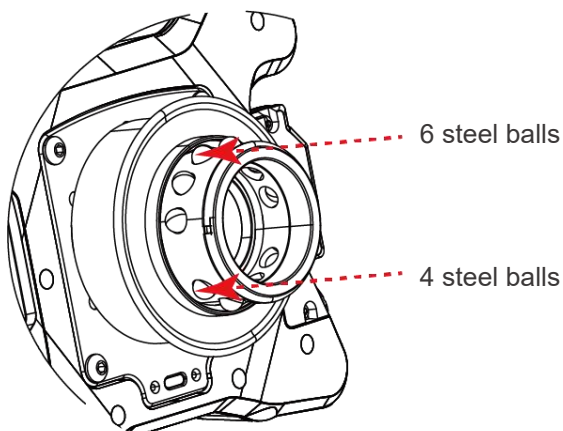


- ① Position the grips
- ② Place the decorative cover
- ③ Tighten the 6 screws

WWW.SIMULTIMATE.EU

## Connecting the Steering Wheel to the Base

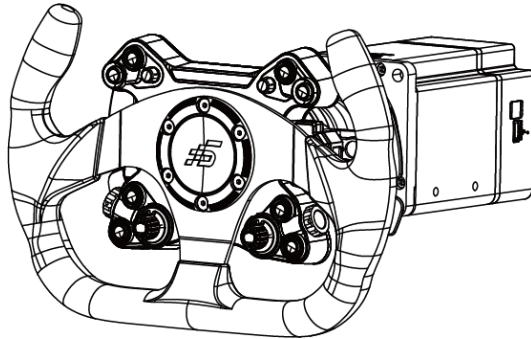
The quick-release structure of the steering wheel has six steel balls on the top and four on the bottom.



Line up with the wheelbase.

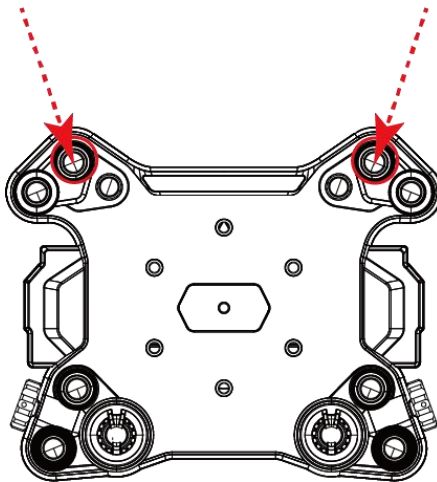
## Wheelbase Connection

To connect to the base, insert the steering wheel into the base and press the pairing button to initiate connection.

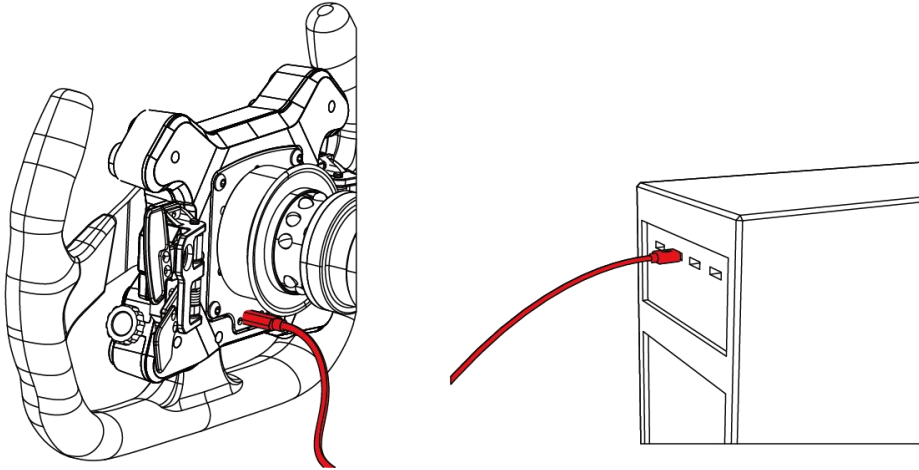


[WWW.SIMULTIMATE.EU](http://WWW.SIMULTIMATE.EU)

Hold for more than 5 seconds to enter automatic pairing mode.



## Connecting the Steering Wheel to a PC



If there's no response when using the auto pairing mode, attach the included USB Type-C cable from the socket at the back of the wheel to the socket on the PC to manually sync the frequency  
(Please unplug the cable before driving in wireless mode )

WWW.SIMULTIMATE.EU

## 4. Software

Simpro Manager will automatically notify you if there are available updates for the software. If you want to double-check, please go to

[www.simagic.com/download](http://www.simagic.com/download) and download the newest version.

Simpro Manager has a built-in feature that allows you to update the firmware on your devices automatically.



Scan QR Code

## 5. Warranty Description

### Warranty Terms

The warranty period is **12 months** from the date of purchase. During the warranty period, if there are issues with the machine's components, materials, or craftsmanship under normal use and maintenance, and the problem is confirmed after inspection, the company will provide free repairs and replacement parts.

**SIMGIC product's Serial Number (S/N)** will serve as the primary identifier for after-sales support. You can locate the S/N on the product packaging and the product itself, attached via a sticker on the product surface. Simply provide the 10 or 14-digit S/N to our customer service team or SIMGIC distributor when applying for after-sales service, and they will assist you promptly.

For users who have products with serial numbers, there's no need for warranty cards. However, if your product does not have a serial number, you will need to retain your warranty card for after-sales support.



*Your product's serial number can be found on the label sticker of wrapping*

*\* Consumer Law. This Limited Warranty gives you specific legal rights, and you may have other rights that vary by your country, province or state, as applicable. Other than as permitted by law, Simagic does not exclude, limit or suspend other rights you may have. For a full understanding of your rights, you should consult the laws of your country, province or state, as applicable.*

## 5. Warranty Description

### Warranty Terms

SIMAGIC establishes dealer terms and consumer product warranty terms, requiring official partners such as dealers and agents to provide consumers with standardized SIMAGIC warranty services to safeguard consumers' legal rights.

For information on authorized dealers, please visit [www.simagic.com/experience](http://www.simagic.com/experience). SIMAGIC adheres to a service spirit that is responsible for users and ensures user confidence, striving to create the ultimate user experience. Regarding these warranty terms, if adjustments are necessary, we regret that specific notifications may not be provided.

Please refer to the latest content released through official channels such as the official website. Please avoid causing damage to the machine intentionally. Do not deviate from the guidance of official or officially authorized personnel when performing non-normal hardware or system operations on the machine. For detailed usage instructions, please visit [www.simagic.com/pro-tutorial](http://www.simagic.com/pro-tutorial).

### Disclaimer

The Limited Warranty does not apply to any:

- a) Damage to the machine caused by incorrect installation or operation.
- b) Repairs, modifications, alterations, or self-replacement of any internal components by non-technical personnel of the company.
- c) Alteration of the machine serial number or inconsistencies with this certificate.
- d) Damage caused by negligence, water, or infiltration of other substances into the machine. Malfunctions or damage caused by accidents or natural disasters.
- e) Users are prohibited from personally opening the machine's casing, as doing so may void the warranty and other guarantees.

## 6. Safety Information

In order to achieve maximum safety while using your Neo X, We suggest that you adopt the following guidelines:

- Should you have trouble using the product properly and troubleshooting does not work, unplug the power and go to your local distributor for support. Do not attempt to service or fix the product yourself at any time.
- To prevent fire or shock hazard, never expose the wheel to rain or moisture.
- Only use the power and/or accessories included in the package, and/or purchase accessories made and/or approved by the manufacturer.
- Only use AC power provided by a standard wall outlet to avoid damage to the product.
- When terminating use, please turn off the buttons and power equipment to prevent accidents.
- Unplug the unit during a lightning storm or if it will not be used for a long period of time.
- Do not take apart the phone (doing so will void your warranty), component replacements must be carried out or authorized by SIMAGIC's official repair center.
- Children under 6 years old are prohibited from using this device.

**When using the simulator, please pay attention to the following:**

- The device has significant force feedback and contains small components. Children under 15 years old are prohibited from operating or using it independently. When in use, parents must adjust the force feedback parameters in child mode and supervise.
- For first-time users, adjust the force feedback gradually to an appropriate level.
- First-time users or those experiencing the device should be guided by the device owner.
- Loose clothing items such as hair, cables, skirts, etc., should be kept away from the simulator.



- If you have a history of epilepsy or seizures, consult a doctor before use. Certain patterns may trigger seizures with no prior history. If you experience any symptoms, please stop using the product immediately and consult a doctor.
- When using a high-torque base, the peak force feedback may cause hand injuries. If the feedback is too strong, release your hands immediately and adjust the feedback intensity parameters promptly to prevent potential accidents.
- The equipment contains moving parts, pinch points, and sharp edges that may cause personal injury. Operate with caution to prevent pinching, bruising, kicking, smashing, or other bodily injuries.
- It is recommended to limit the force feedback gaming time from 20 to 40 mins to avoid health risks from excessive use.
- Users should refrain from driving a real car for at least 1 hour after finishing the game.
- If any abnormalities are detected, stop using the device immediately and seek assistance from SIMAGIC's official or authorized service center.
- Please follow SIMAGIC's official website and public platforms for the latest product information.

## 6. Contact us

### Discord



### Facebook



### Instagram





[WWW.SIMULTIMATE.EU](http://WWW.SIMULTIMATE.EU)

**Copyright © 2024 SIMAGIC Tech Co.Ltd. All Rights Reserved.**

The products and corporate names mentioned in this manual may or may not be registered trademarks or copyrights of their respective companies. They are used solely for the purposes of identification or explanation, and to the benefit of the owners, without any intention of infringement.

The specifications and information provided in this manual are intended for informational purposes only and are subject to change at any time without notice. They should not be interpreted as a commitment by SIMAGIC. SIMAGIC assumes no responsibility or liability for any errors or inaccuracies that may appear in this manual, including those related to the products and software described within it.

SIMAGIC shall not be liable for any lost profits, loss of information or data, special, incidental, indirect, punitive, or consequential damages arising in any way out of the distribution, sale, resale, use, or inability to use the Product. In no event shall Simagic's liability exceed the retail purchase price of the Product.