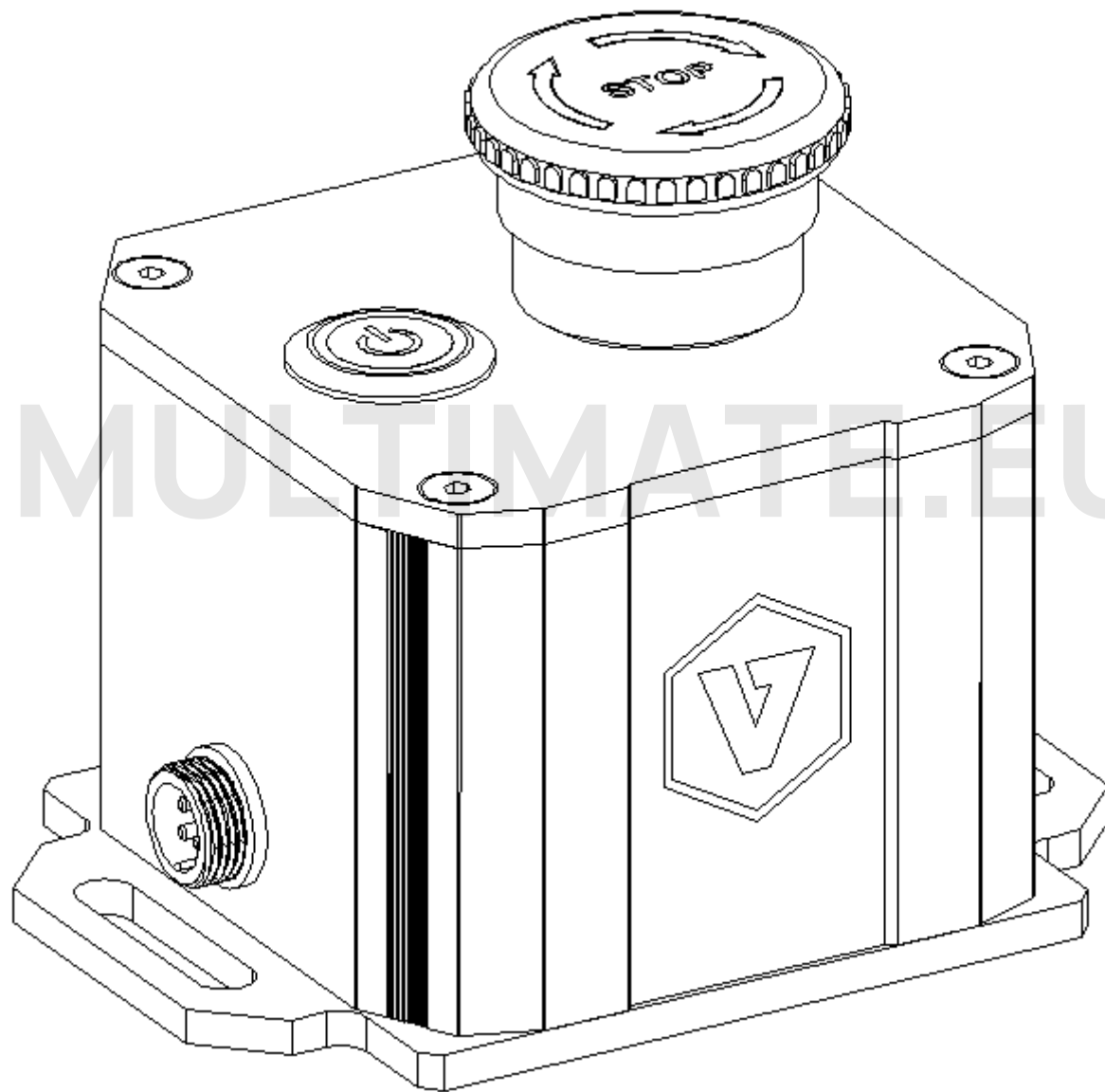





Install EMC



		
(M6x16)	(T Nut M6)	(Flat 6)
x2	x2	x2

