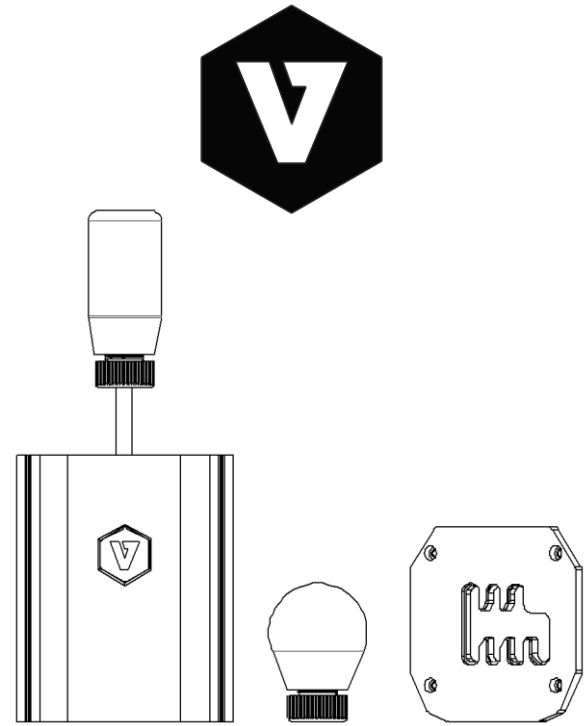
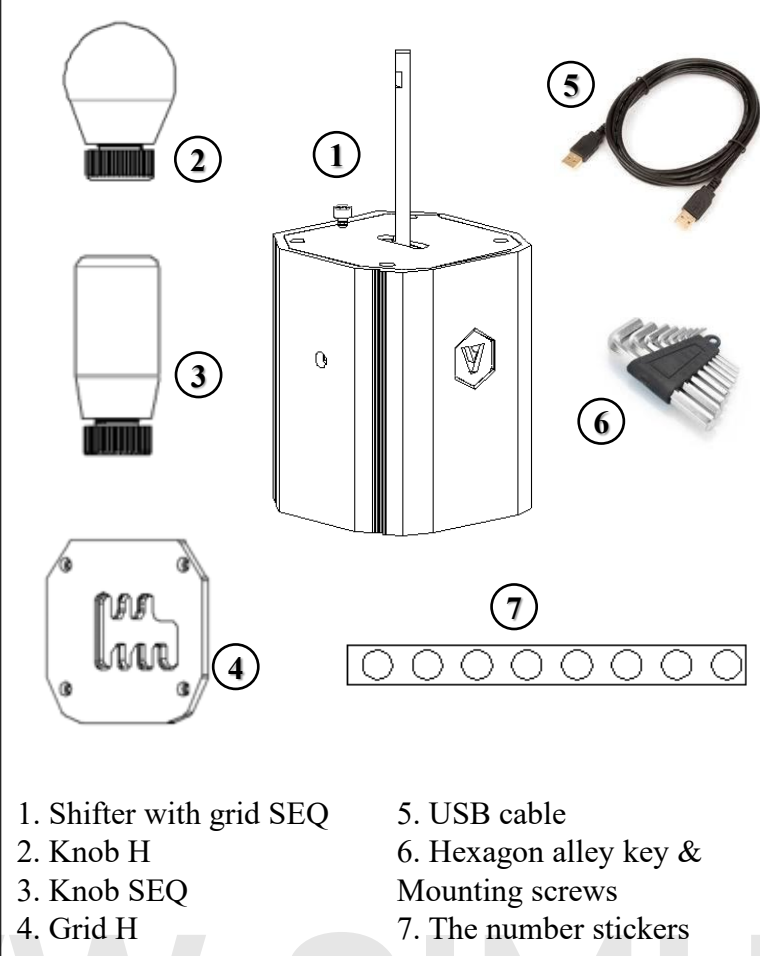


VNM SHIFTER

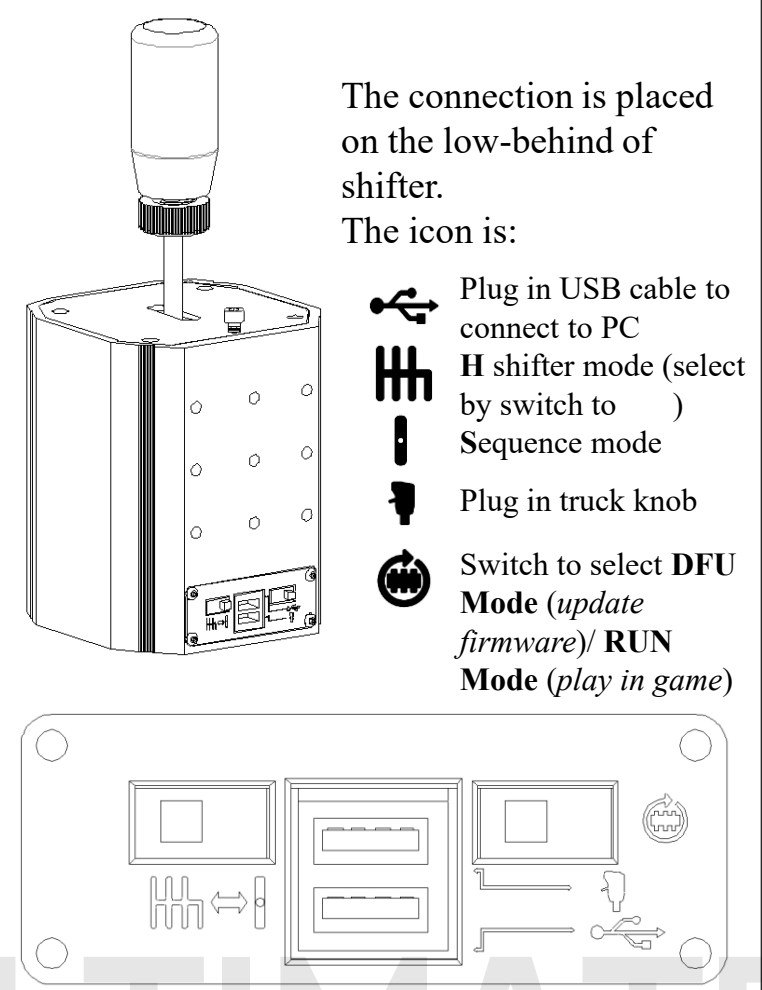
Quick Guide



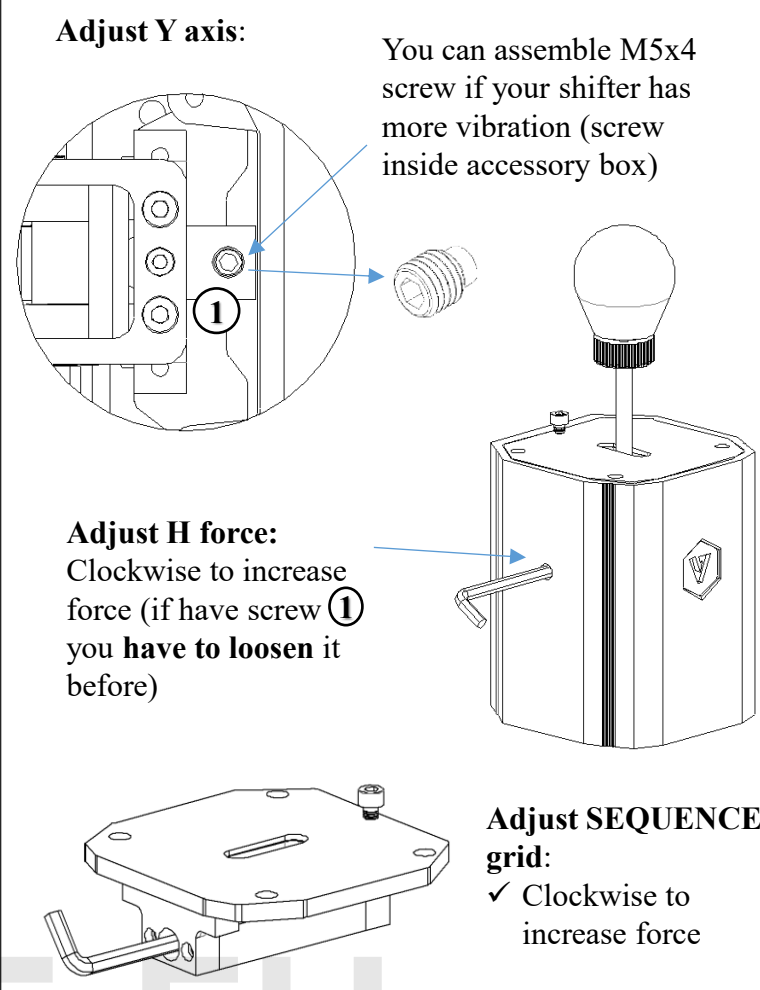
Content



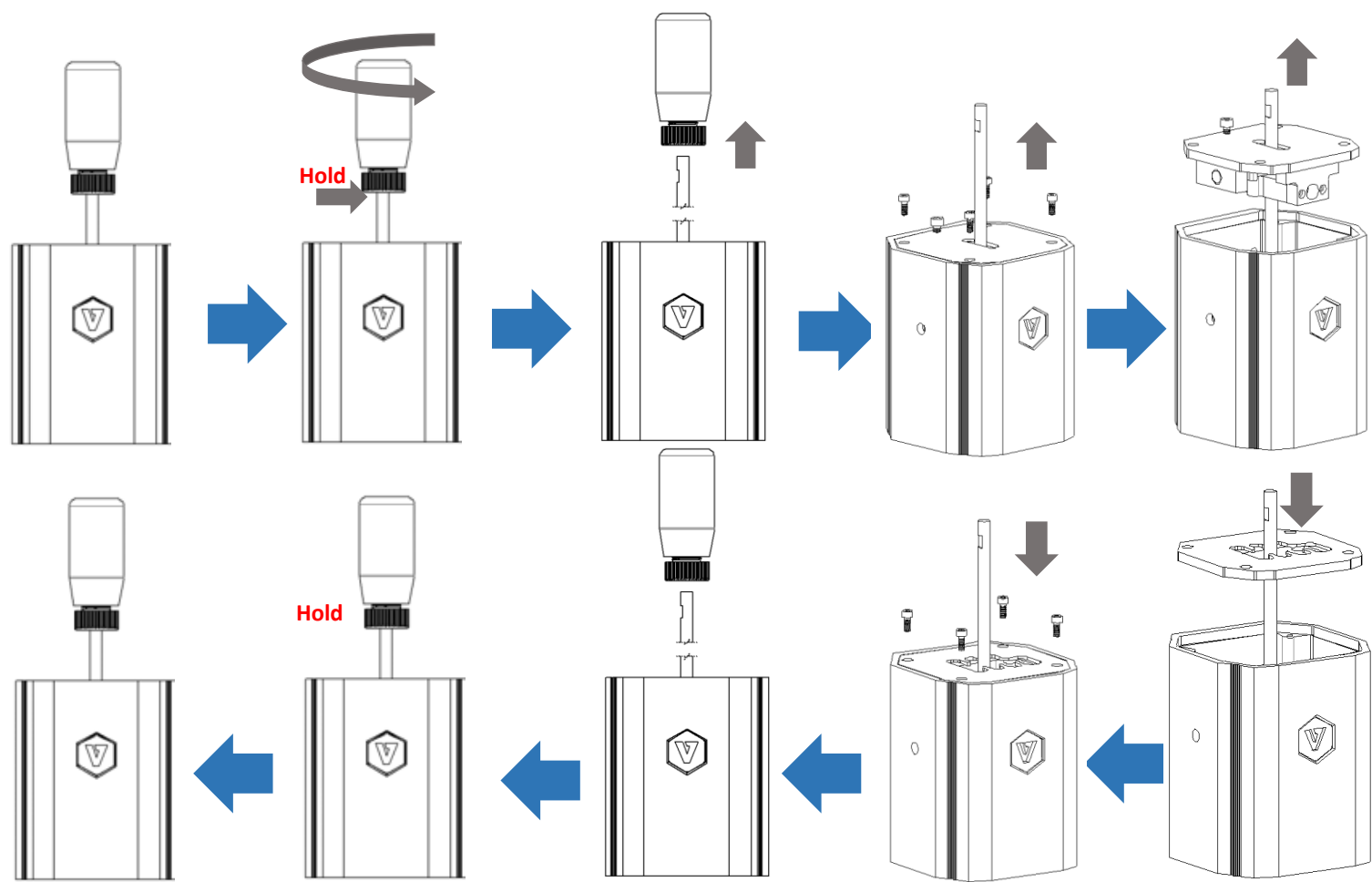
Connection



Adjust Spring

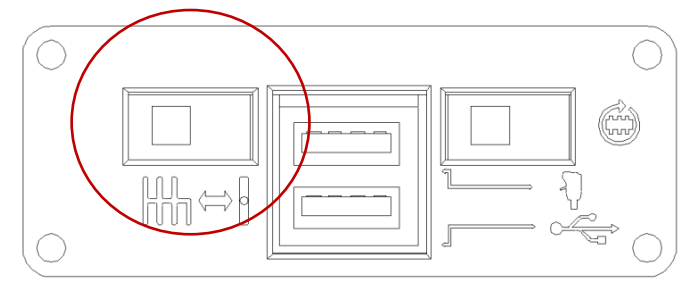


Exchange face & Knob H

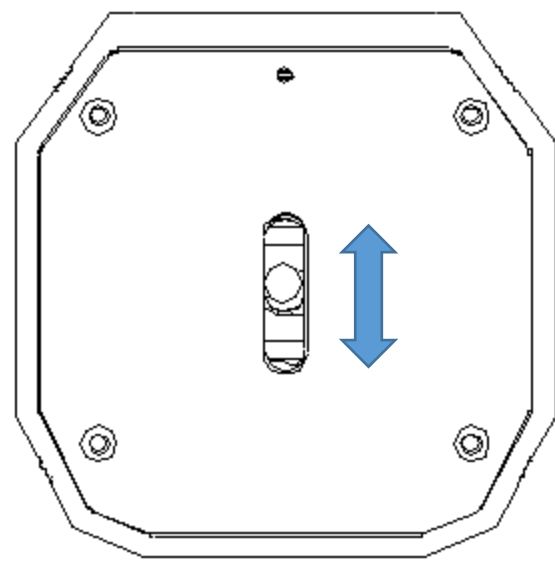


Mode Change

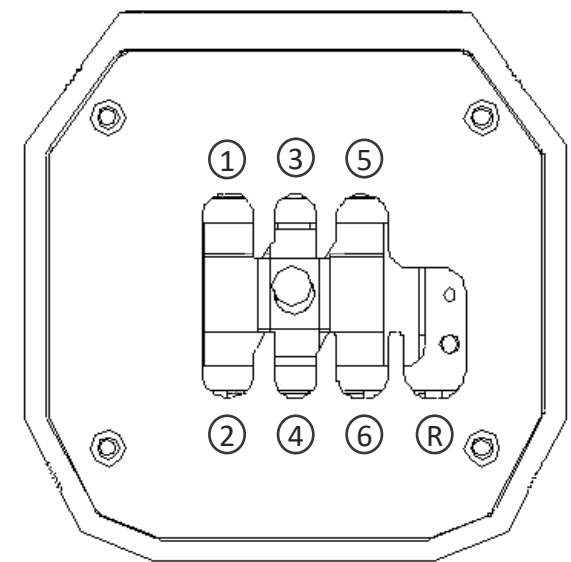
Switch to select H mode and Sequence mode



Sequential gearbox



Manual gearbox



Mounting Drawing

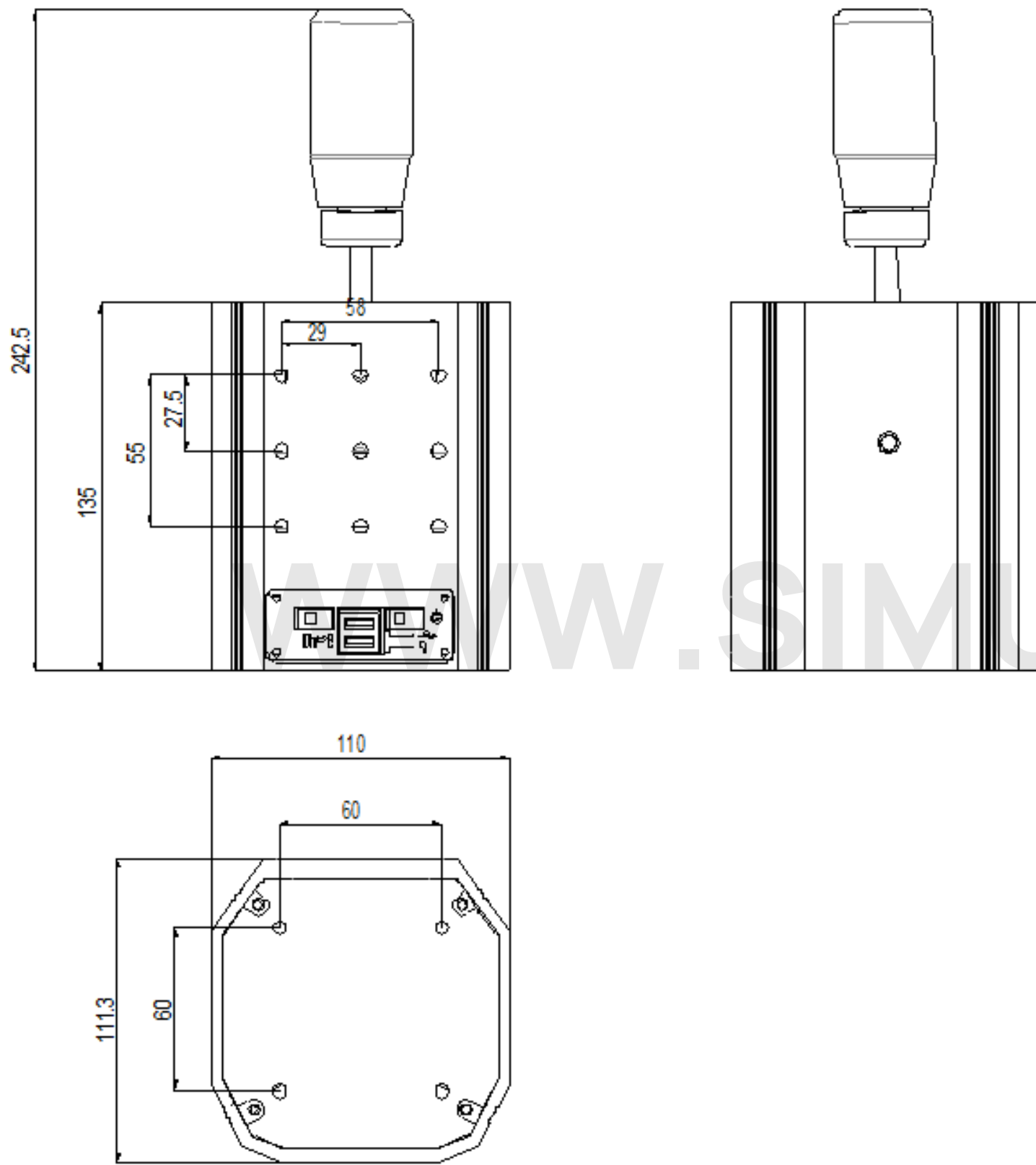


Table Clamp

